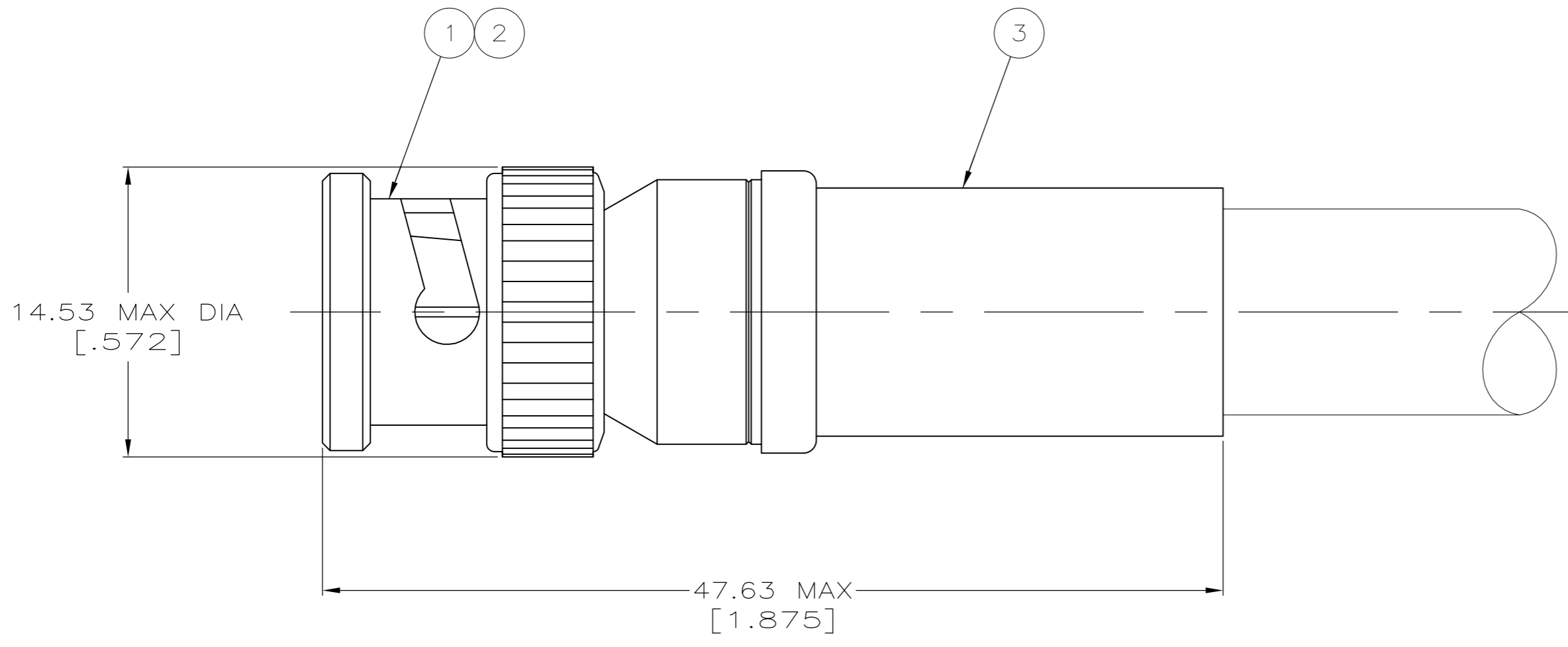
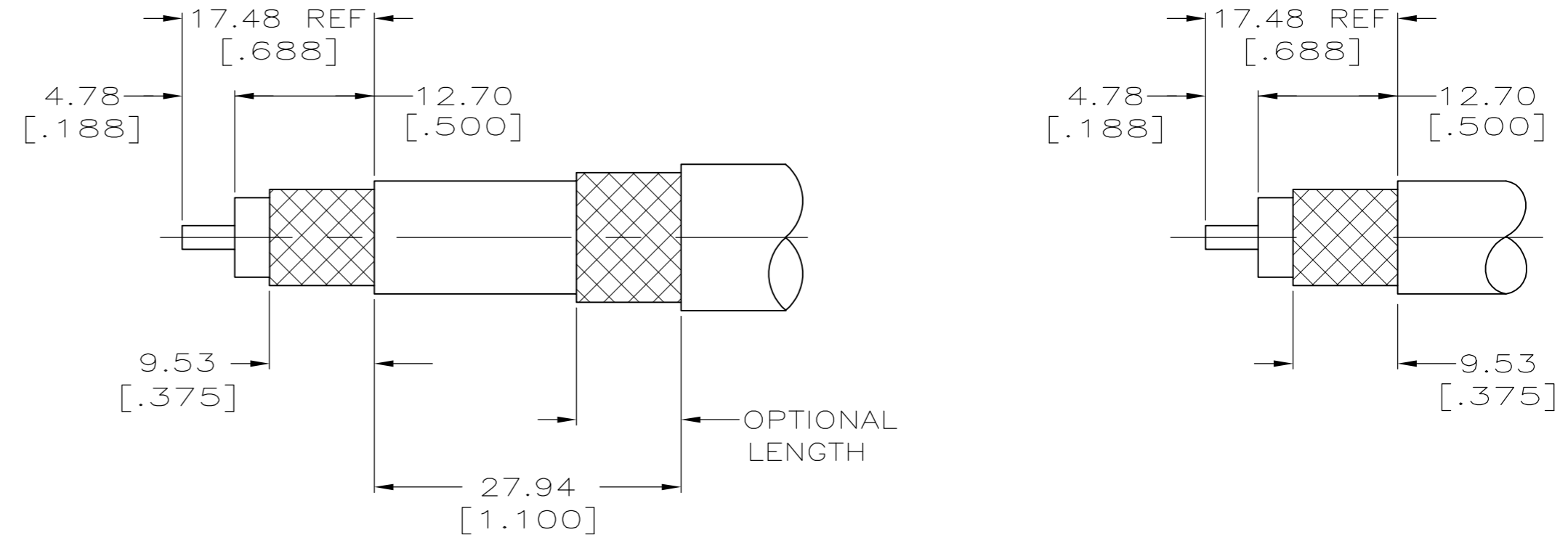


THIS DRAWING IS UNPUBLISHED. RELEASED FOR PUBLICATION
 © COPYRIGHT - By - ALL RIGHTS RESERVED.

LOC		DIST		REVISIONS			
P	LTR	DESCRIPTION		DATE	DWN	APVD	
AJ	16	K3	REVISED PER ECO-11-005030	11MAR11	RK	HMR	



- 1 FOR USE WITH, INTERCOMP RG-11/U TYPE CABLE, .068 DIA CENTER CONDUCTOR, .285 DIA DIELECTRIC, .385 O.D. JACKET, USE STRIP LENGTH A.
- 2 FOR USE WITH, BELDEN 8213 CABLE & THE COAX PORTION OF BELDEN 9232 CABLE, USE STRIP LENGTH B.
- 3. USE CRIMPING TOOL: 220015-1.
- 4. SEE I.S. 1914-1
- 5 RG-9/U, RG-9A/U, RG-9B/U, RG-214/U, RG-8/U, RG-8A/U & RG-213/U.
- 6 OBSOLETE PARTS: OBSOLETE CIS STREAMLINING PER D.RENAUD/D.SINISI



VIEW A VIEW B
 RECOMMENDED STRIP LENGTH
 SCALE 2:1

OBSOLETE	RG-11/U	B	9-51713-0	225526-4	225887-2	225886-8
	TIMES FM-8	B	9-51713-0	225526-6	225887-2	225886-7
6	OBSOLETE	A OR B, SEE CABLE	9-51713-0	225596-4	225887-2	225886-6
OBSOLETE	ALPHA 9847	B	51713-2	225596-4	225887-3	225886-5
	RG-11/U	B	9-51713-4	225526-4	225887-1	225886-4
OBSOLETE	RG-9/U,9A/U,9B/U &214/U	B	51713-2	225596-2	225887-1	225886-2
		B	9-51713-4	225596-2	225887-1	225886-1
	FOR USE WITH CABLE:	VIEW	3 FERRULE QTY=1	2 CONTACT QTY=1	1 PLUG ASSY QTY=1	PART NUMBER

THIS DRAWING IS A CONTROLLED DOCUMENT.

DWN	NIK FRITZ	9-18-90
CHK	J. LIPPERT	11-7-91
APVD	M. PHILLIPS	11-7-91
PRODUCT SPEC	108-12020	
APPLICATION SPEC	-	
WEIGHT	-	-
CUSTOMER DRAWING	SCALE 4:1	SHEET 1 of 1

TE Connectivity

PLUG, DUAL CRIMP
 SERIES
 BNC

SIZE A2 CAGE CODE 00779 DRAWING NO C-225886 RESTRICTED TO -

REV K3